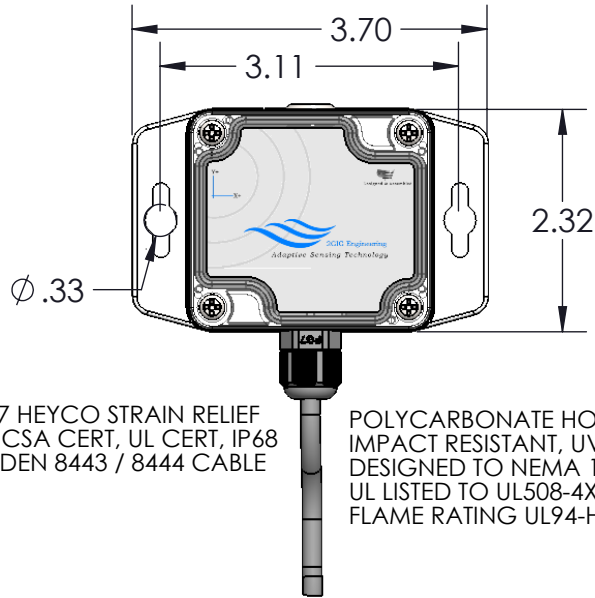


MOUNTING HOLE LOCATION



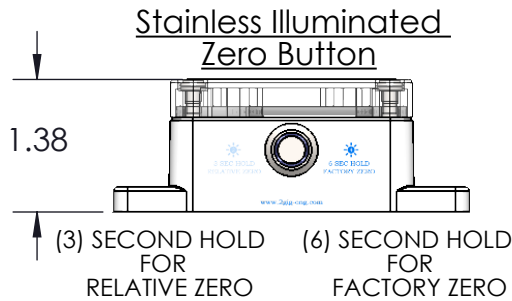
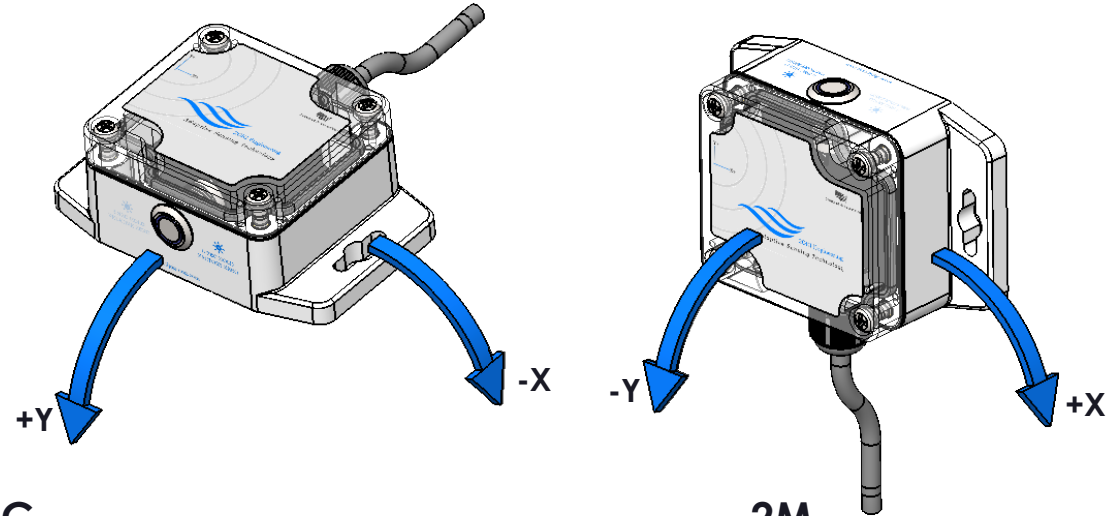
PG7 HEYCO STRAIN RELIEF
CSA CERT, UL CERT, IP68
BELDEN 8443 / 8444 CABLE

POLYCARBONATE HOUSING:
IMPACT RESISTANT, UV STABILIZED
DESIGNED TO NEMA 1,2,4,4X,12,13
UL LISTED TO UL508-4X (UL FILE E194432)
FLAME RATING UL94-HB(UL FILE E41613)

REVISIONS			
REV.	DESCRIPTION	BY	DATE
A	ADDED VERTICAL MOUNT OPTION / M12 OPTION	JRK	5/17/2018

HORIZONTAL MOUNT

VERTICAL MOUNT



Stainless Illuminated Zero Button

C	AXIS TYPE	BAUD RATE	NODE ID	2M
CANBUS SERIES	AXIS TYPE	AVAILABLE (KBPS)	NODE ID	CABLE
HORIZONTAL MOUNT - H	SINGLE X - 1 SINGLE Y - 2 DUAL - 3	20	001 - 255 (0X01 - 0XFF) DEFAULT 001	(*)M = SPECIFY LENGTH IN METERS DEFAULT IS 2M BELDEN 8444
VERTICAL MOUNT - V		50		MM - MALE M12 (5) PIN A-CODE 2 METER CABLE
J1939 - J CANOPEN - O		125		MF - FEMALE M12 A-CODE 2 METER CABLE
		250		
		500		
		1K		

BELDEN WIRE CALLOUT

LABEL	COLOR
VS	Red
GND	Black
CAN L	Green
CAN H	White

INPUT SUPPLY: 6 - 40VDC
OPERATING TEMP. -40 TO 85°C
ACCURACY : 0.1°
RESOLUTION: 0.01°
TEMPERATURE COMPENSATED
START-UP TIME - <0.5 SEC
FREQUENCY: 100HZ (10MSEC)

REVERSE POLARITY PROTECTED
SHORT CIRCUIT PROTECTED TO GND
OVER VOLTAGE PROTECTED UP TO 60V
EPOXY ENCAPSULATED CIRCUIT
CURRENT DRAW: 12.5MA @12V : 8.5MA @24V
WEIGHT: 6.5OZ W/ 2METER 4 WIRE BELDEN CABLE
CE CERTIFIED / ROHS COMPLIANT

M12 PIN OUT
MALE & FEMALE
TERMINATION

PIN	COLOR	FUNCTION
1	BROWN	GND
2	WHITE	VS
3	BLUE	GND
4	BLACK	CAN H
5	GREY	CAN L

MATERIAL	DO NOT SCALE DRAWING	2GIG ENGINEERING 194 MAIN ROAD ABBOT VILLAGE, ME 04406	
UNITS	SCALE	TITLE	
INCH	1:2	CANBUS INCLINOMETER J1939 & CANOPEN	
TOLERANCE UNLESS OTHERWISE SPECIFIED	DRAWN	DATE	CODE IDENT
DECIMAL .XX±.02	JRK	05/17/2018	DRAWING NUMBER
DECIMAL .XXX±.005	CHECKED		REV
ANGLE ±'	JGS		C-27971
	SIZE	A	A
	SHEET	1 OF 1	